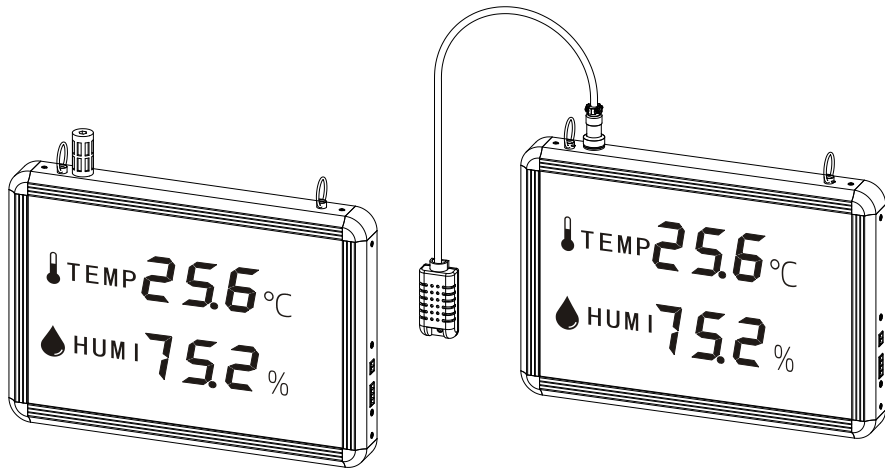


Temperature & Humidity Display



Description

This device is an industrial temperature and humidity display. It can be equipped with built-in probe and remote probe to monitor the ambient temperature and humidity parameters. It can be transformed into digital output using RS485 communication interface.

Technical Data

Standard

[H Range] 0-100%RH

[T Range]built-in probe: -20~60°C
remote probe: -20~80°C

Enhanced

[H Range] 0-100%RH

[T Range]remote probe: -40~80°C

High temperature

[H Range] 0-100%RH

[T Range]remote probe: -40~120°C

[H Accuracy] $\pm 3\%$ (10~90%) $\pm 4\%$ (0~10% / 90~100%)

[T Accuracy] $\pm 0.3^\circ\text{C}$ (0~80°C)

$\pm 0.4^\circ\text{C}$ (-20~0°C / 80~100°C)

$\pm 0.5^\circ\text{C}$ (-40~-20°C / 100~120°C)

[Size of LED] 1.5inch

[RS485] Standard MODBUS RTU

[Power] 24VDC, Consumption 2.5W





[Dimension] 272×192×33mm, Height 720g

[Response Time] $T_{63} \leq \text{Secs}$

[Condition] -20 to 60 °C, 0-85%

Electrical Connection

B		485B
A		485A

R		Relay
R		Relay
G		24V-
V		24V+

Communication Protocol

Parameter	Reg Offset	Data Type	Authority
Address	00H	short	RW
Baudrate	01H	short	RW
Parity	02H	short	RW
Stopbits	03H	short	RW
T Adjust	04H	short, 1 decimal	RW
H Adjust	05H	short, 1 decimal	RW
T Low Alarm	06H	short, 1 decimal	RW
T Hi Alarm	07H	short, 1 decimal	RW
H Low Alarm	08H	short, 1 decimal	RW
H Hi Alarm	09H	short, 1 decimal	RW
Temperature	20H	short, 1 decimal	RO
Humidity	21H	short, 1 decimal	RO

- Standard MODBUS RTU
- Address: 1-247 (Default 1)
- Baudrate: (Default 9600)
0:9600 1:19200
2:38400 3:57600
4:115200
- Parity: (Default None)
0:None 1:Odd 2:Event
- Stopbits: (Default 1bit)
0:1bit 1:2bit

Example 1: Read data (25.0 °C, 40.0%)

Query: 01 03 00 20 00 02 C5 C1

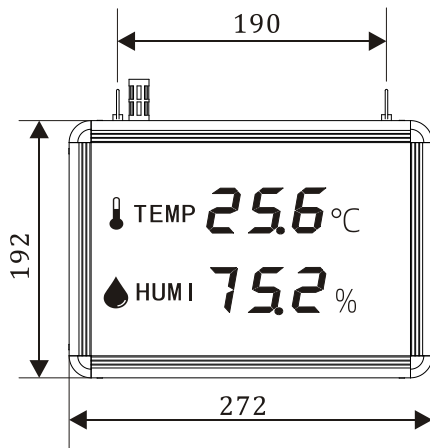
Response: 01 03 04 00 FA 01 90 DB FE

Example 2: Set Adjust (0.2°C, 2.0%)

Query: 01 10 00 04 00 02 04 00 02 00 14 53 93

Response: 01 10 00 04 00 02 00 09

Dimension



Unit:mm

